


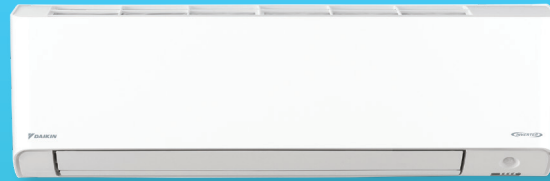


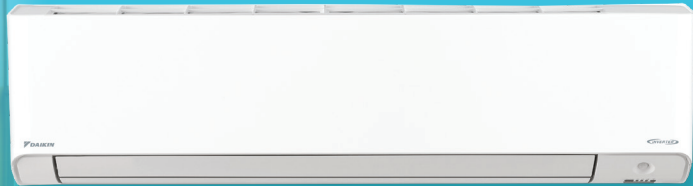


The World Leading Heat Pump Company

-  **INDOOR ENVIRONMENTAL QUALITY**
-  **SUPERIOR ENERGY EFFICIENCY**
-  **BUILT-IN WI-FI**



FTXM20-46WVMA



FTXM50-71WVMA



HEATING AND COOLING SOLUTIONS

ALIRA

MULTI PURPOSE DESIGN

Alira is a step ahead of the rest, delivering a perfect fusion of whisper quiet comfort, industry-leading energy efficiency and indoor environmental quality technology.

-  **PERFECT FUSION**
Alira is a perfect blend of progressive design aesthetic, superior energy performance & indoor environmental quality technology.
-  **ADVANCED PURIFICATION**
Fitted with three layers of filtration; prefilter for large particulates, enzyme blue deodorising filter for odours and Daikin's Streamer Technology for powerful oxidative decomposition of pollutants.
-  **MOULD-PROOF OPERATION**
Activates after cooling or dry operation to prevent the build up of mould and odour. **
-  **BUILT-IN WI-FI**
Connection to Daikin's Mobile Controller smartphone interface is now included.

*Refers to 2.0kW, 2.5kW & 3.5kW models.

**Mould-proof operation function can be toggled (On/Off) via the wireless controller.

***2-Area Intelligent Eye only applicable to 20-46 Class Models.

REVERSE
CYCLE

2.7kW
-TO-
8.0kW
RATED HEATING
CAPACITIES

7
MODELS



INTELLIGENT COMFORT

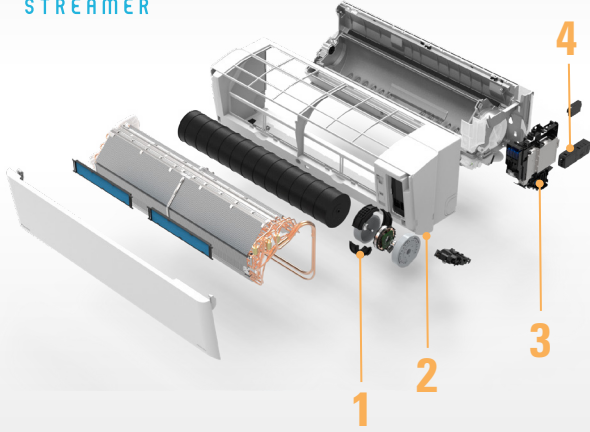
The 2-Area Intelligent Eye*** helps prevent cold draughts and enables energy saving operations when the room is unoccupied.



COANDA AIRFLOW

Discharge louvres are designed to stream air upwards along the ceiling for rapid cooling and uniform temperature distribution.





TECHNOLOGY

1. IMPROVED ODM MOTOR

Improved compact 14 pole DC outer diameter rotor motor encased in rubber vibration dampeners delivers higher torque more efficiently than before while ensuring whisper quiet operations.

2. REDESIGNED DUAL LOUVRES

Large dual louvres with aerodynamic end vanes help reduce turbulence for draught free comfort with longer throw distances of up to 10m (50-71 Class).

3. HUMIDITY SENSOR

Monitors humidity to accurately control supply air temperature for comfortable and effective dehumidification of the room during Program Dry Function operation.

4. STREAMER TECHNOLOGY

Discharges high speed electrons generating powerful oxidative decomposition that continuously removes odours, bacteria and indoor air pollutants such as formaldehyde.

SPECIFICATIONS

| INDOOR UNIT | | FTXM20WVMA | FTXM25WVMA | FTXM35WVMA | FTXM46WVMA | FTXM50WVMA | FTXM60WVMA | FTXM71WVMA | |
|--------------------------------------------------|--------------|--------------------------------|----------------|----------------|----------------|----------------|----------------|----------------|--|
| OUTDOOR UNIT | | RXM20WVMA | RXM25WVMA | RXM35WVMA | RXM46WVMA | RXM50WVMA | RXM60WVMA | RXM71WVMA | |
| Rated Capacity | Cool (kW) | 2.2 | 2.5 | 3.5 | 4.6 | 5.0 | 6.0 | 7.1 | |
| | Heat (kW) | 2.7 | 3.2 | 3.7 | 4.7 | 6.0 | 7.2 | 8.0 | |
| Capacity Range | Cool (kW) | 1.1-2.8 | 1.1-3.7 | 1.1-4.2 | 0.9-5.5 | 1.1-6.7 | 1.1-7.5 | 2.0-8.9 | |
| | Heat (kW) | 1.1-4.4 | 1.1-5.4 | 1.1-5.5 | 1.0-6.7 | 1.0-8.0 | 1.0-9.8 | 2.0-10.8 | |
| Indoor Airflow Rate (H) | Cool (l/s) | 228 | 242 | 242 | 253 | 342 | 395 | 410 | |
| | Heat (l/s) | 223 | 223 | 242 | 250 | 342 | 395 | 410 | |
| Indoor Fan Speeds | | 5 steps, quiet and automatic | | | | | | | |
| Star Rating (Hot/Avg/Cold) ZERL (Residential) | Cool | 6/5.5/5.5 | 6/5.5/6 | 5/5/5 | 4.5/4/4.5 | 5.5/5/5 | 4.5/4.5/5 | 4/3/3.5 | |
| | Heat | 3.5/3.5/3 | 4/3.5/3 | 3.5/3.5/3 | 4/3.5/3 | 4/3.5/3 | 4/3/2.5 | 3.5/3/2.5 | |
| Front Panel Colour | | White | | | | | | | |
| Power Supply | | 1 phase, 220-240V, 50Hz | | | | | | | |
| Power Input (Rated) | Cool (kW) | 0.42 | 0.47 | 0.80 | 1.17 | 1.13 | 1.48 | 2.00 | |
| | Heat (kW) | 0.50 | 0.64 | 0.76 | 1.04 | 1.23 | 1.61 | 1.96 | |
| E.E.R/C.O.P | Cool/Heat | 5.3/5.4 | 5.38/5.0 | 4.38/4.89 | 3.95/4.52 | 4.42/4.88 | 4.05/4.47 | 3.55/4.08 | |
| TCSPF (Residential) | Hot/Avg/Cold | 7.87/7.15/7.39 | 7.95/7.29/7.55 | 6.98/6.61/6.96 | 6.09/5.71/6.06 | 7.00/6.56/6.99 | 6.49/6.11/6.55 | 5.50/4.87/5.07 | |
| HSPF (Residential) | Hot/Avg/Cold | 5.34/5.13/4.76 | 5.50/5.12/4.71 | 5.44/5.02/4.50 | 5.61/5.03/4.52 | 5.84/5.25/4.60 | 5.50/4.90/4.26 | 5.10/4.54/4.00 | |
| A.E.E.R/A.C.O.P | Cool/Heat | 5.25/5.36 | 5.33/4.97 | 4.36/4.86 | 3.94/4.50 | 4.41/4.86 | 4.04/4.46 | 3.54/4.07 | |
| Dimensions (HxWxD) | Indoor (mm) | 299x920x275 | | | | | 299x1100x275 | | |
| | Outdoor (mm) | 550x675x284 | | | | 695x930x350 | | | |
| Weight | Indoor (kg) | 13 | 13 | 13 | 13 | 15 | 15 | 15 | |
| | Outdoor (kg) | 28 | 30 | 30 | 51 | 54 | 54 | 60 | |
| Compressor Type | | Hermetically Sealed Swing Type | | | | | | | |
| Refrigerant Type | | R-32 | | | | | | | |
| Max Pipe Length | (m) | 20 | 20 | 20 | 30 | 30 | 30 | 30 | |
| Max Level Difference | (m) | 15 | 15 | 15 | 20 | 20 | 20 | 20 | |
| Pipe Sizes | Liquid (mm) | 6.4 | 6.4 | 6.4 | 6.4 | 6.4 | 6.4 | 6.4 | |
| | Gas (mm) | 9.5 | 9.5 | 9.5 | 12.7 | 12.7 | 12.7 | 15.9 | |
| Outdoor Operating Range (min.-max.) | Cool (°CDB) | -10 ~ 46 | | | | | | | |
| | Heat (°CWB) | -15 ~ 18 | | | | | | | |
| Indoor Sound Level (H/SL) | Cool (dBA) | 39/19 | 41/19 | 42/19 | 43/26 | 45/28 | 48/29 | 49/30 | |
| | Heat (dBA) | 39/20 | 40/20 | 42/20 | 43/26 | 45/28 | 48/29 | 49/30 | |
| Outdoor Sound Power | Cool (dBA) | 46/43 | 47/43 | 49/44 | 47/44 | 47/44 | 49/45 | 53/49 | |
| | Heat (dBA) | 47/44 | 48/44 | 49/45 | 48/45 | 48/45 | 52/45 | 54/49 | |
| Outdoor EPA Sound Power Level (H) | Cool (dBA) | 58 | 59 | 61 | 59 | 59 | 61 | 66 | |
| | Heat (dBA) | 59 | 60 | 61 | 60 | 60 | 64 | 66 | |

ZERL (Residential) refers to 'Zoned Energy Rating Label' residential star rating as outlined in the Energy Efficiency (Energy Using Products) Amendment Regulations 2020.

Notes: 1. The rated capacity is measured in accordance with AS/NZS 3823.1.1

2. The cooling (or heating) output capacity will be reduced below the rated value as the outdoor temperature approaches the maximum (or minimum) outdoor temperature operating range limit.

3. The specifications, designs & information in this flyer are subject to change without notice. Unit colours shown are as close as possible to actual unit colours. Colours depicted in this flyer may vary slightly.

Your Local Daikin Specialist Dealer:



daikin.co.nz